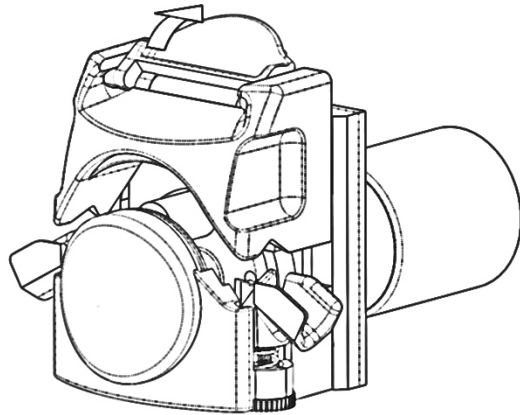


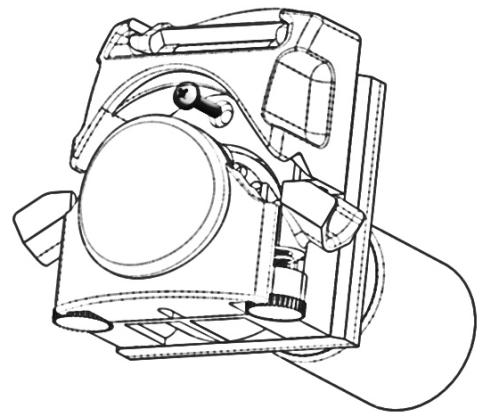
# Pump Head Removal Instructions

## 250 Series Pump Head

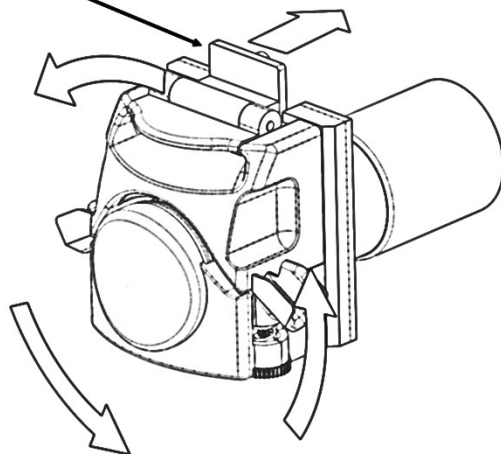


1. Fully open the tube changing lever to access screw head.

2. Carefully remove the screw completely.

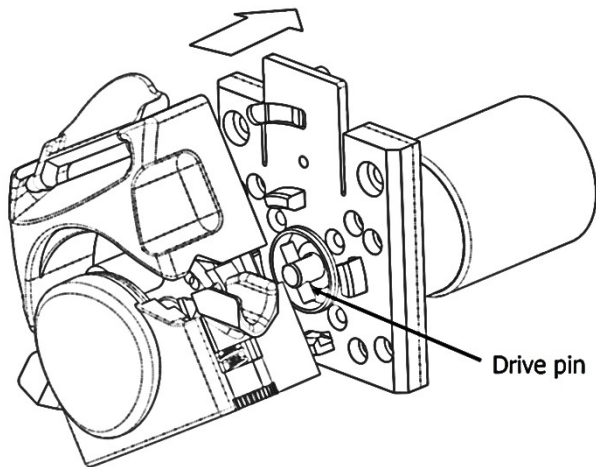
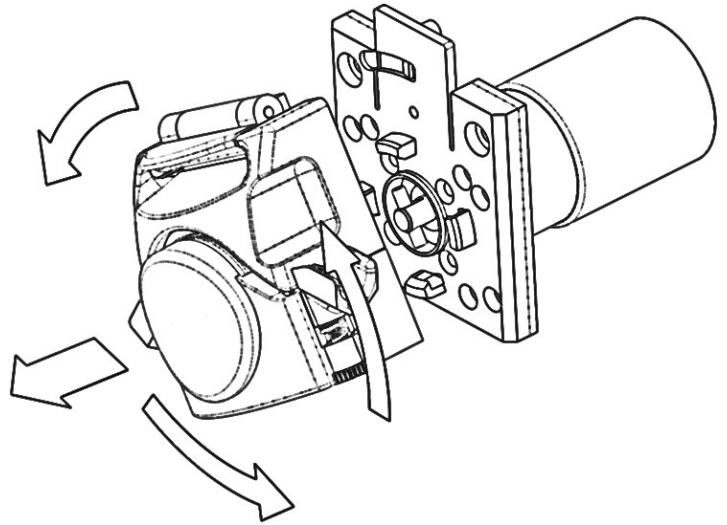


Head lock lever



3. Gently pull the locking lever towards the motor at the same time turning the pump head counter clockwise.

4. The pump head should easily separate from the motor plate as shown allowing access to various panel mounting holes.



5. To re-assemble, simply align the pump head with the motor plate and drive pin and turn clockwise until the lock lever clicks into position.

6. Replace the 3mm screw to secure the pump head and to deter unwanted disassembly.

